

# SCOTT

## SIMPLISSIMO CHEF

### Instruction Manual

Model no.: 21210



## IMPORTANT

For safety purposes you should read the instructions carefully before using the appliance for the first time. Save the instructions for future reference.

***Warning: To prevent burns, always use a mitt or a potholder for handling. Remove the lid slowly with the underside of the lid pointing away from you and let steam escape gradually.***


***Danger: The appliance can cause injuries if it is misused.***

## DO'S

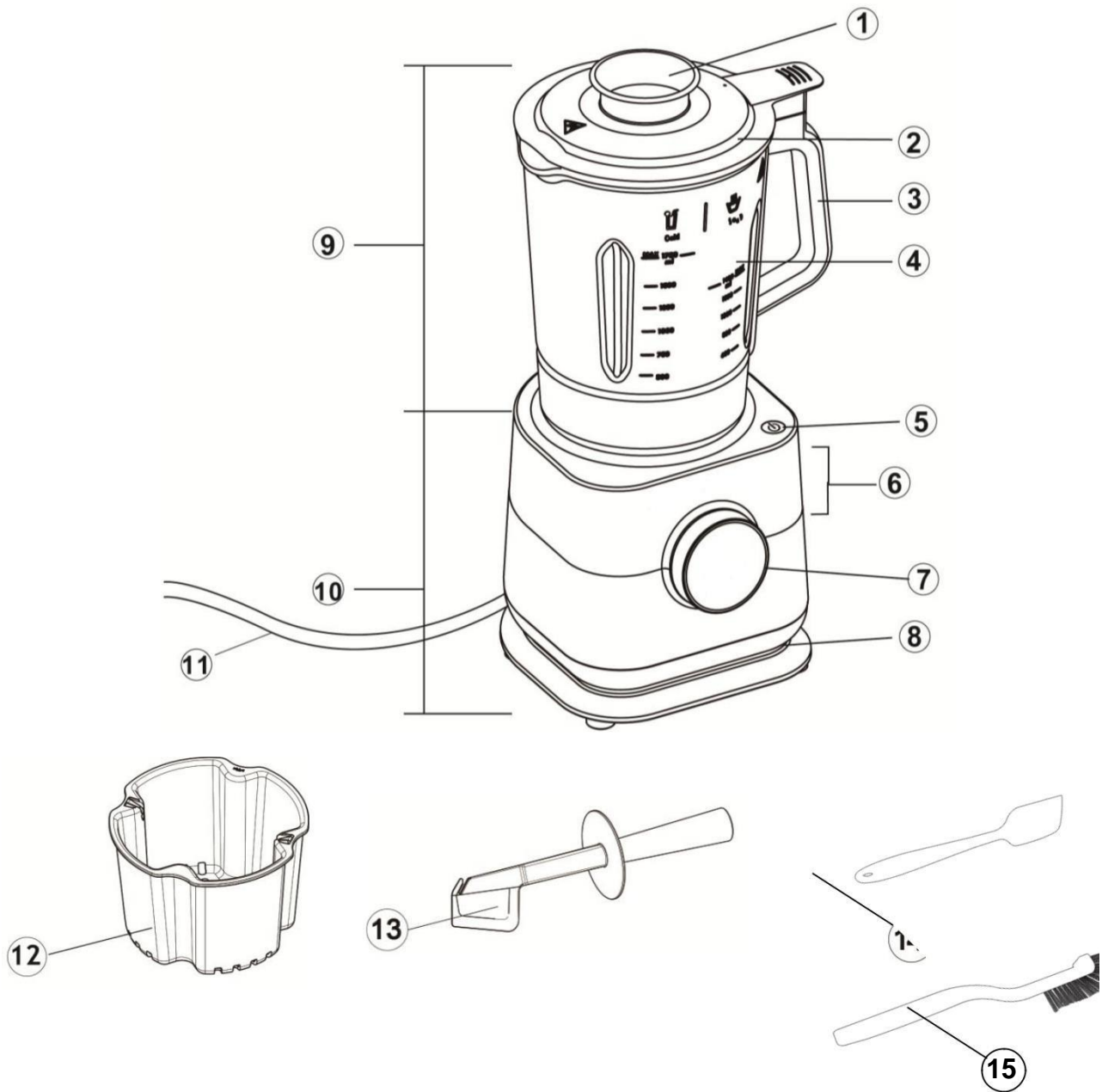
1. Check if the rating of the appliance corresponds to the local mains supply.
2. Place and use the appliance on a dry, level, heat resistant surface.
3. Keep the appliance out of reach from children or infirm persons. Do not let them use the appliance.
4. Make sure all parts are correctly assembled before you switch on the appliance.
5. Always inspect the appliance before use for noticeable signs of damage. Do not use if the product has been damaged or dropped.
6. Unplug from the mains when not in use and before cleaning. Allow to cool before assembling or disassembling parts, before cleaning, or storing the appliance.
7. Always disconnect the appliance before plugging in any accessory or removing the glass bowl from the base unit. To disconnect, press ON/OFF button and remove the plug from the mains.
8. If the supply cord is damaged, it must be replaced by the manufacturer or its service agent or similarly qualified person in order to avoid a hazard.
9. This appliance is not intended for use by persons with reduced physical, sensory or mental capabilities, or lack of experience and knowledge, unless they have been given supervision or instruction concerning use of the appliance by a person responsible for their safety.
10. Children should be supervised to ensure that they do not play with the appliance.
11. The appliance should be used for the preparation of food and drinks as described within the instructions for use that accompany it.
12. The blades inside the glass bowl are sharp. Handle with great care whilst emptying and cleaning.
13. Always ensure that your hands are dry before removing the plug from the mains socket. Never pull the plug out of the mains socket.
14. Be careful when removing the lid, as hot steam will escape and can burn. Always remove the lid by pushing up the lid tab and facing away from you.
15. Avoid scalding from the rising hot steam by lifting the lip in a forward direction.
16. Keep the device stable when it contains anything hot.

17. Be careful while pouring hot liquid into the glass bowl as the liquid can be ejected due to sudden steaming.
18. Avoid overflowing and water spilling onto the connector under the bowl.

## DO NOT'S

1. The appliance is intended for household and domestic use only. Do not use for any other purpose.
2. The plastic bags used to wrap this appliance or the packaging may be dangerous. To avoid risk of suffocation, keep these bags out of reach of babies and children. These bags are not toys.
3. Do not cover the appliance when in use.
4. Do not connect the appliance to an external timer or a remote control system.
5. Do not touch the cook blender during use. It will get very hot.
6. Do not touch the glass bowl after use, wear oven gloves when removing the glass bowl from the base unit.
7. Do not leave the cord hanging over the edge of a kitchen table or work top. Avoid contact between the cord and hot surfaces.
8. Do not operate the appliance near a wall or cabinet, keep at least 10cm away from the walls and other surface in order to allow sufficient airflow.
9. Do not immerse the appliance in water or other liquids to protect against fire, electric shock or personal injury.
10. The appliance contains no user-serviceable parts. Do not attempt to open the cabinet or dismantle any parts from the appliance.
11. Do not put the appliance in the dishwasher.
12. Do not remove the measuring cup or add ingredients when the appliance is blending.
13. Do not insert utensils through the hole of the measuring cup when the appliance is operating.
14. Do not add cold liquids into the glass bowl, hot steam will escape and can burn.
15. Do not operate the appliance (heating, blending functions or programs) when the glass bowl is empty.
16. Do not use chemical descaler on the coated-heating plate of the glass bowl. Whenever necessary, add a 300ml mixture (50% water and 50% alcoholic vinegar or distilled vinegar) into the glass bowl to descale. Leave it for 12 hours without heating, remove the mixture and clean with water.
17. Do not attempt to remove the glass bowl from the heating plate. The glass bowl cannot be immersed in water. Use the Auto Clean setting to clean inside the glass bowl and underneath the blades.
18. The temperature of all surfaces marked with this symbol  will be very hot when the appliance is in use. Do not touch these surfaces as possible injury could occur.

## GET TO KNOW YOUR COOK BLENDER



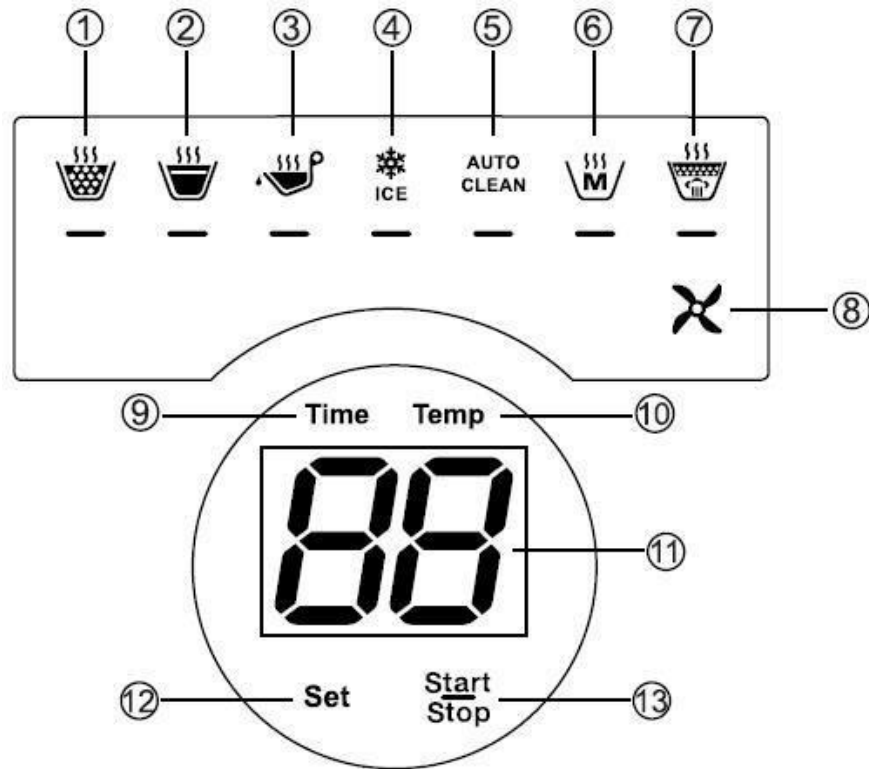
### Cook Blender

1. Measuring Cup
2. Lid
3. Handle
4. Volume Markings
5. On/Off Button
6. Display Panel
7. Control Knob
8. Cord and Plug Storage
9. Glass Bowl Unit with Blade
10. Base Unit
11. Power Cord

### Accessories

12. Steam Basket
13. Plastic Spatula
14. Rubber Spatula
15. Cleaning Brush

## CONTROL PANEL

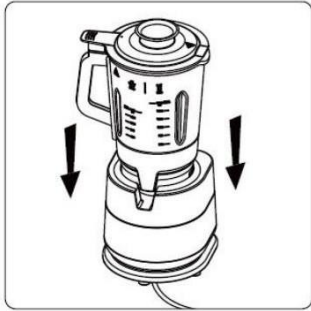


1. Chunky/Thick Soup Mode Indicator
2. Smooth/Fine Soup Mode Indicator
3. Sauce Mode Indicator
4. Ice Crushing Mode Indicator
5. Auto clean Mode Indicator
6. Manual Cooking Mode Indicator
7. Steaming Mode Indicator
8. Blending Button
9. Timer Setting Indicator
10. Temperature Setting Indicator  
(only for Manual Cooking Mode)
11. Time/Speed Setting Display
12. Set Button
13. Start/Stop Button

## BEFORE THE FIRST TIME USE

1. Remove the appliance and all accessories from the packaging.
2. Peel off the adhesive labels and protection foil on control panel of the appliance.
3. Clean all parts which come into contact with food before you assemble the appliance.
4. Wipe the base unit and outside of the glass bowl with a clean damp cloth.

## QUICK GUIDE



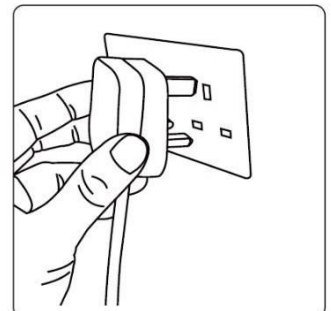
1. Place the glass bowl onto the base unit.



2. Put all ingredients into the glass bowl.



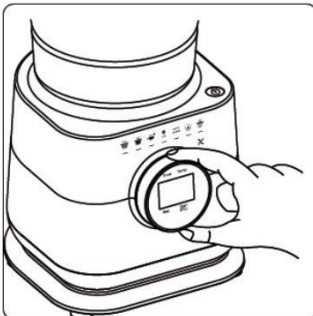
3. Place the lid in position.



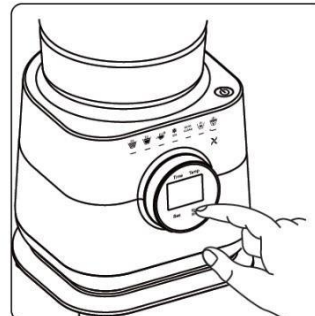
4. Connect the appliance to main supply outlet.



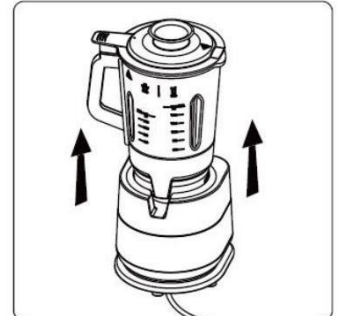
5. Press the ON/OFF button to switch on the appliance.



6. Select the mode you want to use by turning the control knob.



7. Press the start button to start cooking.



8. Lift up the glass bowl after the cooking process finishes.

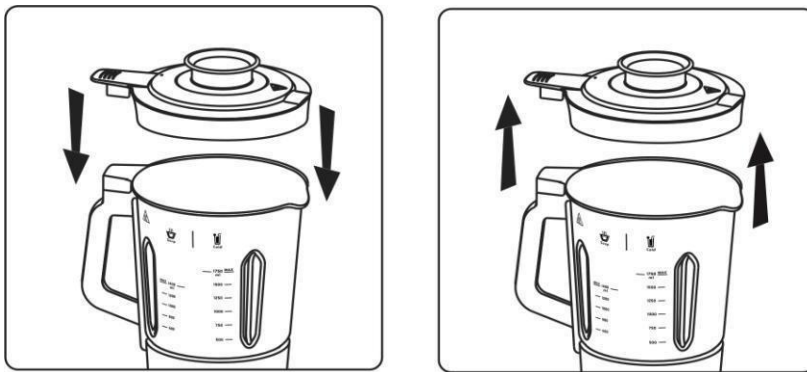
## HOW TO USE

1. Place the appliance on a firm, stable and flat surface; allow sufficient ventilation.
2. Put the diced ingredients into the glass bowl and add water as per your desired recipe. Cover with the lid and press it to the glass bowl.
3. Place the measuring cup into the opening of the lid.
4. Position the glass bowl onto the base unit by using guided grooves and make sure it fits properly.
5. Connect the appliance to a suitable mains supply outlet.

6. Press ON/OFF button to start the appliance and start the programme. The blender then goes into 'Standby' mode.
7. Select the desired cooking mode by turning the control knob and start cooking by pressing the Start/Stop button.

**WARNING: Do not touch the bottom of glass bowl and the glass bowl during cooking, as it can get very hot. Pour the hot liquid from the glass bowl carefully when there is any.**

8. At the end of the cooking programme, the display will show "00" and 5 beep sounds will be heard.
9. Disconnect the appliance from the mains supply and let it cool down completely.



**Note:**

1. The appliance will start only if both the glass bowl is correctly positioned on the base unit and the lid is on the glass bowl.
2. During the cooking program, press Start/Stop to pause the process. The programme continues when it's pressed again. After the completion of the programme, the appliance will shut down automatically if no button is pressed within 10 minutes.
3. To turn off the appliance in any condition, press the ON/OFF button.



## AUTO MODE


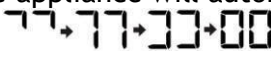
❖ MAKING SOUP  

This appliance is able to make two kinds of soup - Chunky soup and Smooth soup.



**Note: The Maximum fill for hot ingredients is 1400ml. During the cooking process, you can lift the measuring cup to add more ingredients through the opening of the lid.**

**Warning: Do not remove the measuring cup or add ingredients when the appliance is blending.**

1. Turn the control knob to select the Chunky soup programme  or the Smooth soup programme . The selected program will be highlighted. The Start/Stop button will be flashing.

2. Press the Start/Stop button to start. The button will stop flashing and its light will change from white to orange. The cooking time will count down.
3. After cooling for a few minutes, the appliance automatically will start stirring the ingredients. During the cooking process, you can stir at any time by pressing  on the control panel.
4. When cooking completes, 5 beep sounds will be heard. The appliance will automatically switch to keep warm mode for 20 minutes. The display will show: 
5. After 20 minutes of the keep warm function, 5 beep sounds will be heard and then the appliance will automatically go into standby mode.

❖ **MAKING SAUCE** 

1. Turn the control knob to select the sauce programme , then the selected programme will be highlighted. The Start/Stop button will be flashing.
2. Press the Start/Stop button to start the process. The button will stop flashing and the light will change from white to orange. The cooking time will count down.
3. After cooling for a few minutes, the appliance automatically will start stirring the ingredients. During the cooking process, you can stir at any time by pressing  on control panel.
4. When the cooking procedure is completed, 5 beep sounds will be heard and the appliance will automatically go into standby mode.


**Note:** In Auto mode, the cooking temperature, time duration and blending speed will be automatically selected by default, as per the table below.

Program	Temperature	Cooking Time	Keep Warm	Blending
CHUNKY/THICK SOUP	95°C-100°C	~30 minutes	~20 minutes	Medium Speed
SMOOTH/FINE SOUP	95°C-100°C	~30 minutes	~20 minutes	High Speed
SAUCE	85°C-90°C	~20 minutes	~20 minutes	Low Speed

❖ **ICE CRUSHING/ MAKING SMOOTHIES**



**Note:** The maximum fill for cold ingredients/ice cubes is 1750ml.

1. Turn the control knob to select the ice crushing mode , then Start/Stop button to start the process.
2. The appliance will blend the ingredients for 1 minute.
3. When blending completes, a sequence of beep sounds will be heard.



## ❖ AUTO CLEAN FUNCTION AUTO CLEAN

This function will facilitate the cleaning of the glass bowl.

1. Fill the glass bowl with 1200ml of water and 3 to 4 drops of washing-up liquid.
2. Rinse inside the glass bowl and use the cleaning brush provided to remove residue sticking on the glass bowl.
3. Wash the lid in water with washing up liquid and rinse it by using the cleaning brush. Cover the glass bowl with the lid.
4. Turn the control knob to select the auto cleaning function AUTO  
CLEAN on control panel.
5. Press the Start/Stop button to start the cleaning process.
6. The appliance will mix the liquid and heat up for 2 minutes, it will mix the liquid again until the end of the cleaning process. The sticky residue under the blade will be removed.
7. Lift the glass bowl from the base unit and place it on a flat surface.
8. Remove the lid and finish cleaning the glass bowl with a sponge, and dry them thoroughly.
9. Clean the base unit with a moist soft cloth.

### Warning:


1. *Do not clean glass bowl, interface and base unit with the abrasive side of a sponge or pad. Only use a soft cloth to clean.*
2. *The blades inside the glass bowl are very sharp. Handle with great care while cleaning.*
3. *Do not put the glass bowl into the dishwasher.*
4. *Never immerse the appliance in water.*

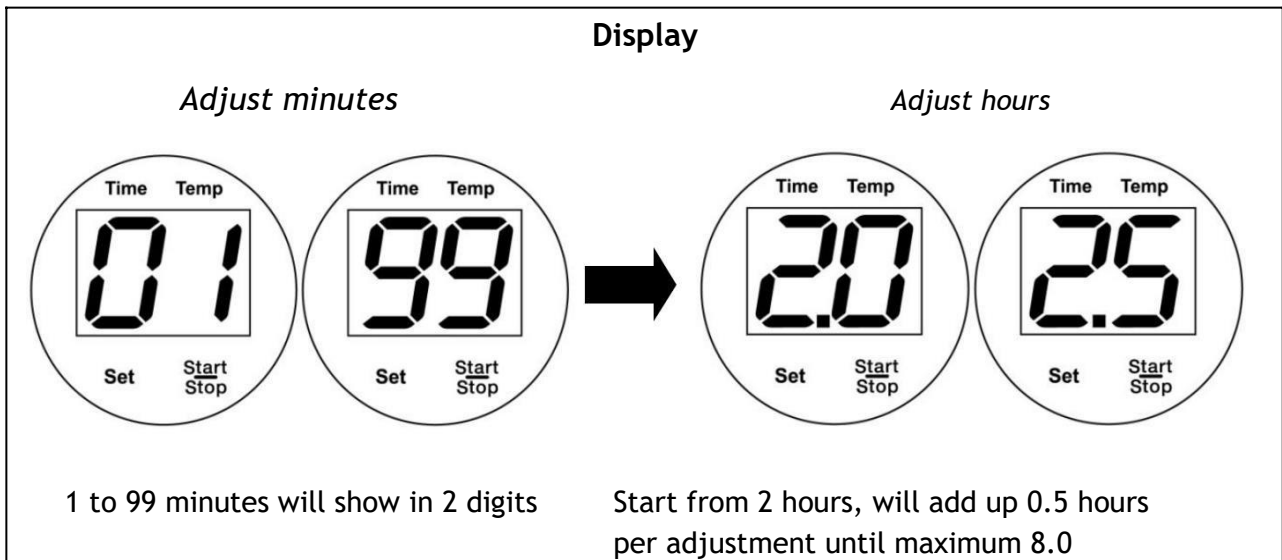
*Note: To easily clean, wash the removable parts (lid, glass bowl & measuring cup) in warm soapy water immediately after use.*

## EXPERT MODE

### ❖ MANUAL COOKING FUNCTION/SOUS VIDE FUNCTION

**Please note that on the 21210 Simplissimo Chef model, the manual/sous vide function is only available for 1 hour.**

1. Turn the control knob to select the manual cooking mode .
2. Press the **Set** button. The appliance will display a default cooking temperature of 40°C.
3. Turn the control knob to adjust the temperature from the range of 40 to 99 °C.
4. Once the desired temperature is selected, press the **Set** button to adjust the cooking time.
5. The appliance will display a default cooking time of 30 minutes.
6. Turn the control knob to adjust the timer from the range of 1 minute to 8 hours. To speed up the adjustment process, turn and hold the control knob until your desired time is reached.



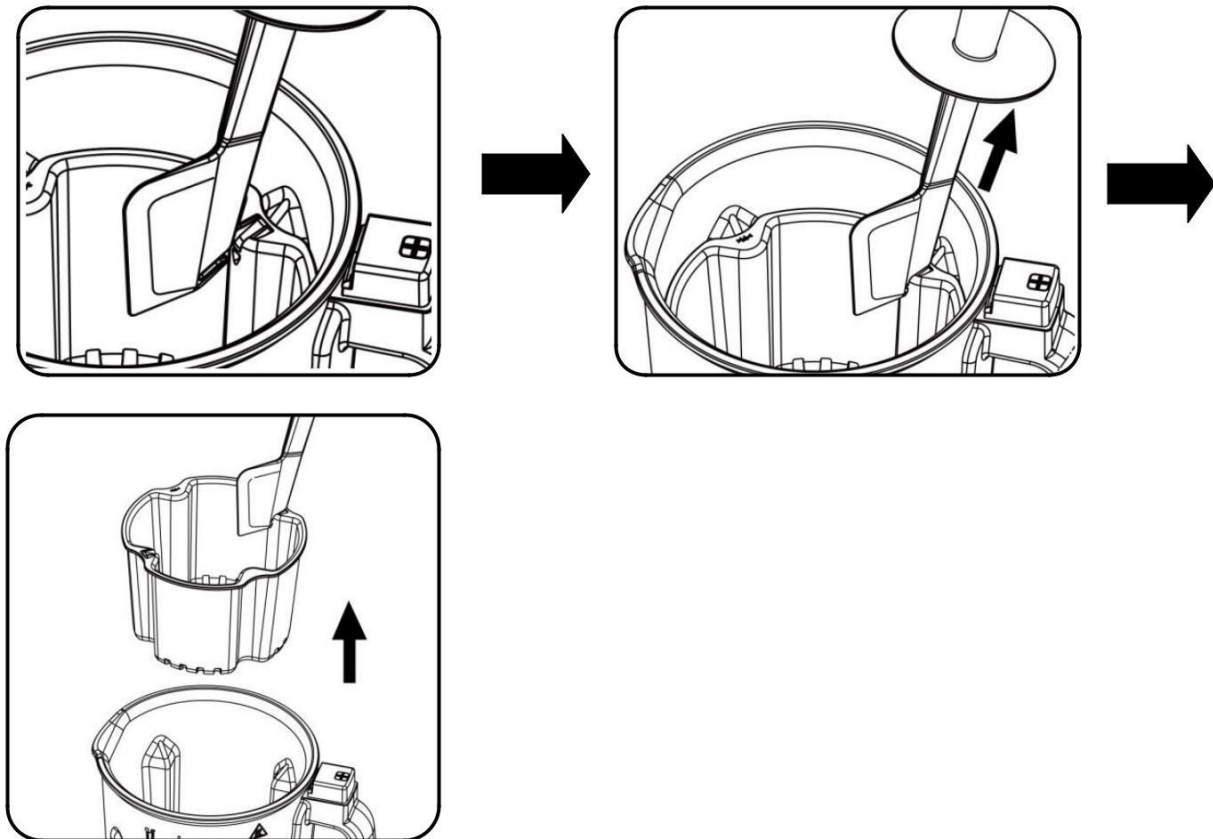
**Please note that on the 21210 Simplissimo Chef model, the manual/sous vide function is only available for 1 hour.**

7. Once the cooking time is selected, press the Start/Stop button to start cooking.
8. You can also stir at any time by pressing (Only available at 80°C or above).
9. When the cooking process completes, 5 beep sounds will be heard. The appliance will automatically switch to keep warm mode for 20 minutes. The display will show:
10. After 20 minutes of the keep warm function, 5 beep sounds will be heard and then the appliance will automatically go into standby mode.





❖ **STEAM FOOD**

1. Add a maximum of 300ml water into the glass bowl.
2. Place the food that you would like to steam into the steam basket provided.
3. Place the steam basket into the glass bowl and cover with the lid.
4. Place the bowl in position.
5. Press on the control panel and select steaming mode. The appliance will display a default cooking time of 30 minutes.
6. Press **Set** button, then turn and adjust the timer from the range of 1 to 40 minutes. To speed up the adjustment process, turn and hold the control knob until your desired time is reached.
7. Once the desired cooking time is selected, press the Start/Stop button to start cooking.
8. You can adjust the cooking time anytime during the cooking process. The **Set** button will appear after pressing the Start/Stop button. Press the **Set** button and then turn and adjust the timer again.
9. When the cooking process finishes, 5 beep sounds will be heard. The appliance will automatically switch to keep warm mode for 20 minutes.  
The display will show:

10. After 20 minutes of the keep warm function, 5 beep sounds will be heard and the appliance will automatically go into standby mode.
11. Turn off the machine by pressing the Power On/Off button, use the spatula to lift the steam basket as below:



#### ❖ BLENDING

1. To blend the ingredients according to your preference, press  on the control panel. The medium (2) speed is by default selected.
2. Press the **Set** button, then adjust the blending speed to LOW(1), MEDIUM(2), or HIGH(3) by using the control knob.
3. Put the ingredients into the glass bowl, cover with the lid and make sure it fits properly.
4. Once the blending speed has been selected, press  to start blending. There is no default blending time. The blending will continue as long as you keep your finger on the  icon. If you remove your finger from the  icon, blending will stop.

**Note:** For safety reasons, the blending function will stop automatically after a period of use.

## TROUBLESHOOTING

- The appliance does not work.

Possible Cause	Solution
The appliance is not plugged in.	Check the mains plug and make sure it is connected to the socket properly.
The glass bowl is not placed on base unit.	Place the glass bowl properly on the base unit.
The lid is not placed/ fit well onto the glass bowl.	Place the lid properly onto the glass bowl and make sure it fits properly.

- The control panel stops working. No options can be selected or the sensitivity of the panel is low.

Possible Cause	Solution
The appliance is under electromagnetic interference.	Unplug the appliance from the power socket. Restart after a few minutes.
There is dirt on the control panel.	Clean the panel with soft cloth.

- The ingredients are not well blended.

Possible Cause	Solution
The ingredients exceed the maximum indication on the glass bowl.	Remove some of the ingredients and ensure the ingredients are placed evenly at the bottom of the glass bowl.
There is not enough water or cooking liquid.	Make sure the water/cooking liquid level is correct as mentioned in the recipe booklet.

- The food is burnt.

Possible Cause	Solution
A wrong programme was selected.	Select another programme (refer to the recipe booklet).
There is not enough water or cooking liquid.	Make sure the water/cooking liquid level is correct as mentioned in the recipe booklet.

## RECYCLING YOUR ELECTRICALS



At the end of the electrical product's useful life, it should not be disposed of with household waste. Please arrange to take this appliance to recycling points set up around the country.

To find out more information about the recycling of electrical items and the recycling point, please visit [www.recycle-more.co.uk](http://www.recycle-more.co.uk).

SCOTT SMART PRODUCTS (UK) LTD

The Lansdowne Building, 2 Lansdowne Road, Croydon, England, CR9 2ER

[www.scott-gear.co.uk](http://www.scott-gear.co.uk)